

IGE Installation Requirements

If the following installation and ventilation requirements are not adhered to, any warranties associated with the Island Gourmet Elite are null and void.

Firstly, the IGE is required to be installed fully under cover, not out in the open.

The Island Gourmet Elite is the only built-in BBQ on the market that is able to be installed directly into a benchtop made from combustible materials. This means it can be dropped into any standard outdoor kitchen bench, eliminating the necessity for granite or stone benchtops. Wood, laminate, MDF etc. are all perfectly safe to use with an IGE.

We recommend having at least a 700mm deep benchtop. This accounts for the 555mm trim, plus 50mm from the front of the trim to the edge of the bench, and approx. 100mm clearance at the back to leave room for a hood to open.

Cabinet Ventilation

A minimum ventilation area of 400cm² between the barbecue and open air is required, for both LPG and Natural Gas applications. This is the requirement for any material cabinet, whether combustible or not.

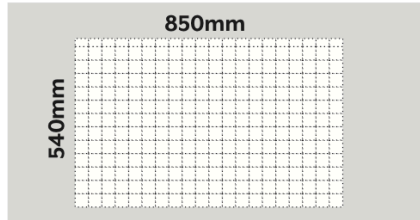
The 400cm² can be anywhere in the BBQ cabinet as long as it connects the BBQ permanently to open air. Doors do not suffice. For example, if the back of your bench is against a brick wall and there is no opportunity for ventilation in the back, the ventilation area will need to be placed somewhere in the front of the cabinet. See below examples of slotted vents in the front of the cabinet.

The BBQ must also be separately ventilated cabinet to any gas bottles with independently ventilated areas that are shut off from each other.

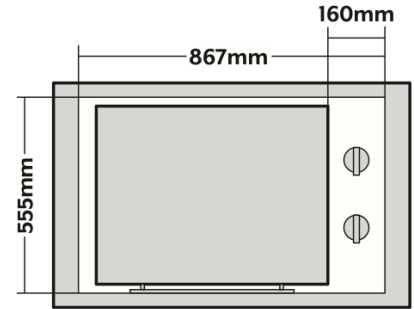


IGE Installation Requirements

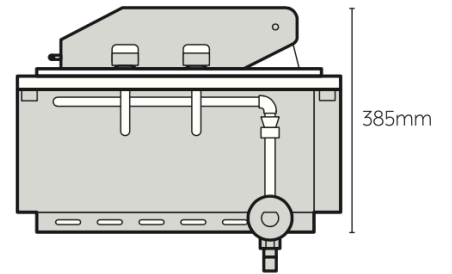
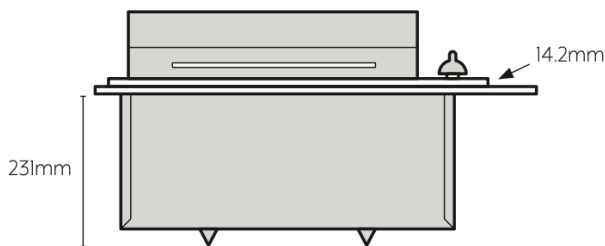
600



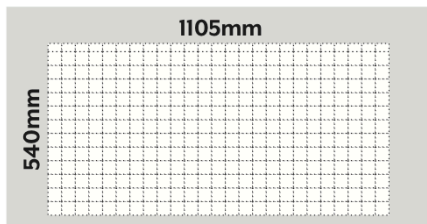
Benchtop Cut Out measurements (as per template)



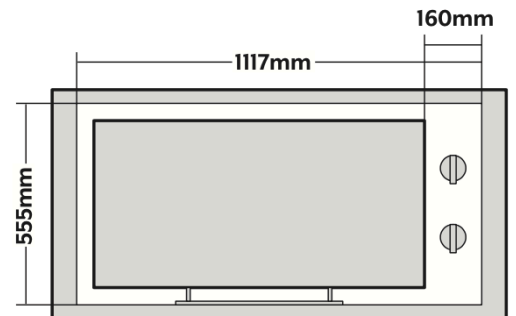
Trim Dimensions



850



Benchtop Cut Out measurements (as per template)



Trim Dimensions

